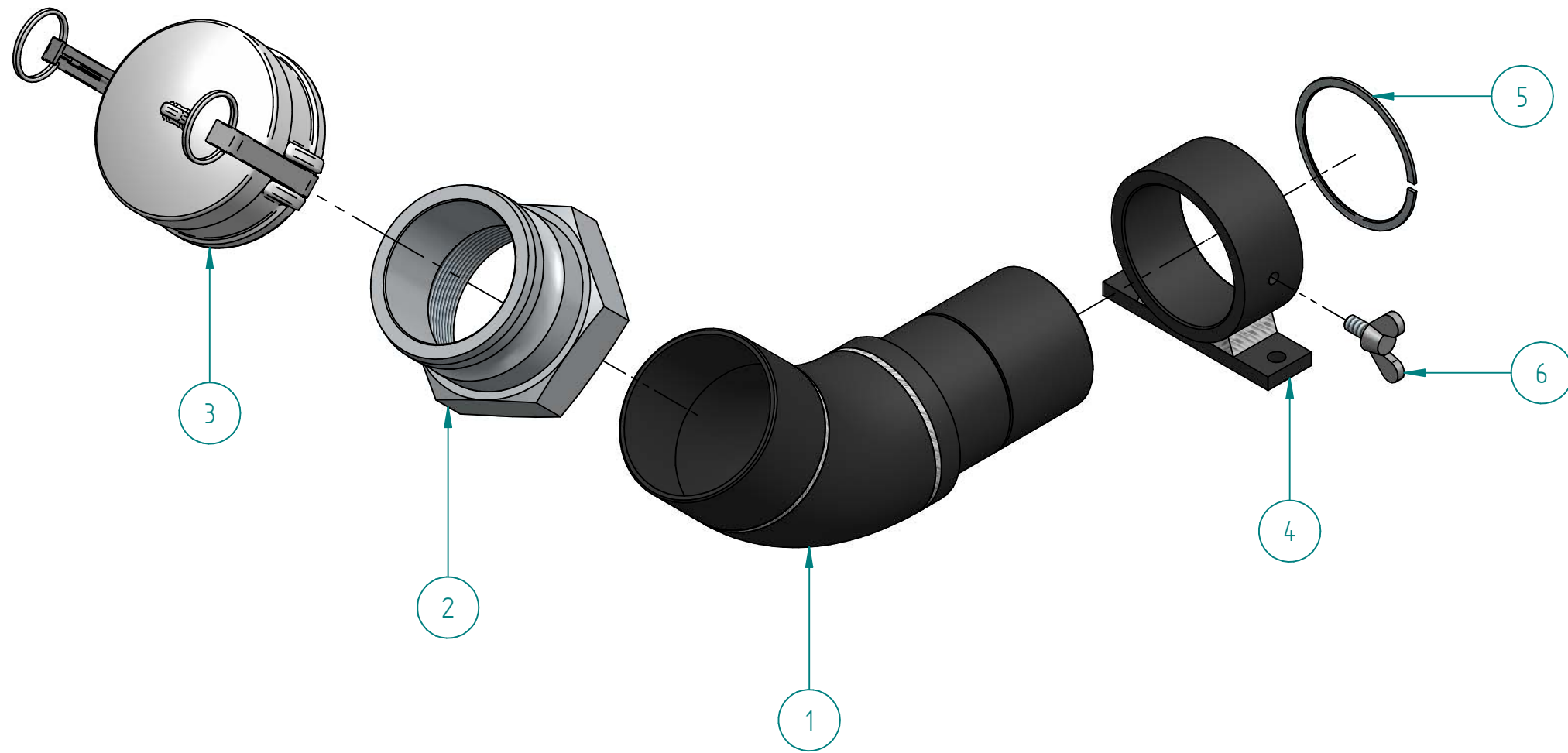


TOLERANCES acc. to ISO / TOLERANSER enl. ISO  
 Applicable where no tolerance is indicated.  
 Gäller där tolerans ej direkt utsatts  
 For machining / For bearbetning: ISO 2768-mK  
 For welding / For svetsning: SS-EN ISO 13920-BF  
 Surface finish acc. to ISO 1302 Machined surfaces.  
 Ytjämnhet enligt ISO 1302. För bearbetade ytor.

Item	Artikelnummer	Document Number	Title	Quantity
1	600073	600073a	ORIFICE	1
2	900083	900083	CAMLOCK DN80 FEMALE THREAD 3"	1
3	900084	900084	CAMLOCK CAP 3" TYPE DC	1
4	600066	600066a	HOSE BRACKET 3 INCH	1
5	900085	DIN 5417 SP75	SNAP RING SP75	1
6	900187	BN 276 M8x16	WING SCREW BN 276	1



THE INFORMATION CONTAINED IN THIS DRAWING IS THE SOLE PROPERTY OF  
 VON ARX EOOD REPRODUCTION IN PART OR WHOLE WITHOUT  
 THE WRITTEN PERMISSION OF VON ARX EOOD IS PROHIBITED

Drawn By GS	Date 18/12/2019	Approved Date 26/10/2020	Approved By MS	Material	Dimension
				Units : mm	SIZE A3
				Description TOP BRACKET ASSEMBLY	
Part/Assembly File 600069.asm				DWG NO 600069a	
sheet 1	of 1			Rev. a	

Rev. No	Revision description	Date	Sign
a	Wing screw added.	20/10/2020	GS