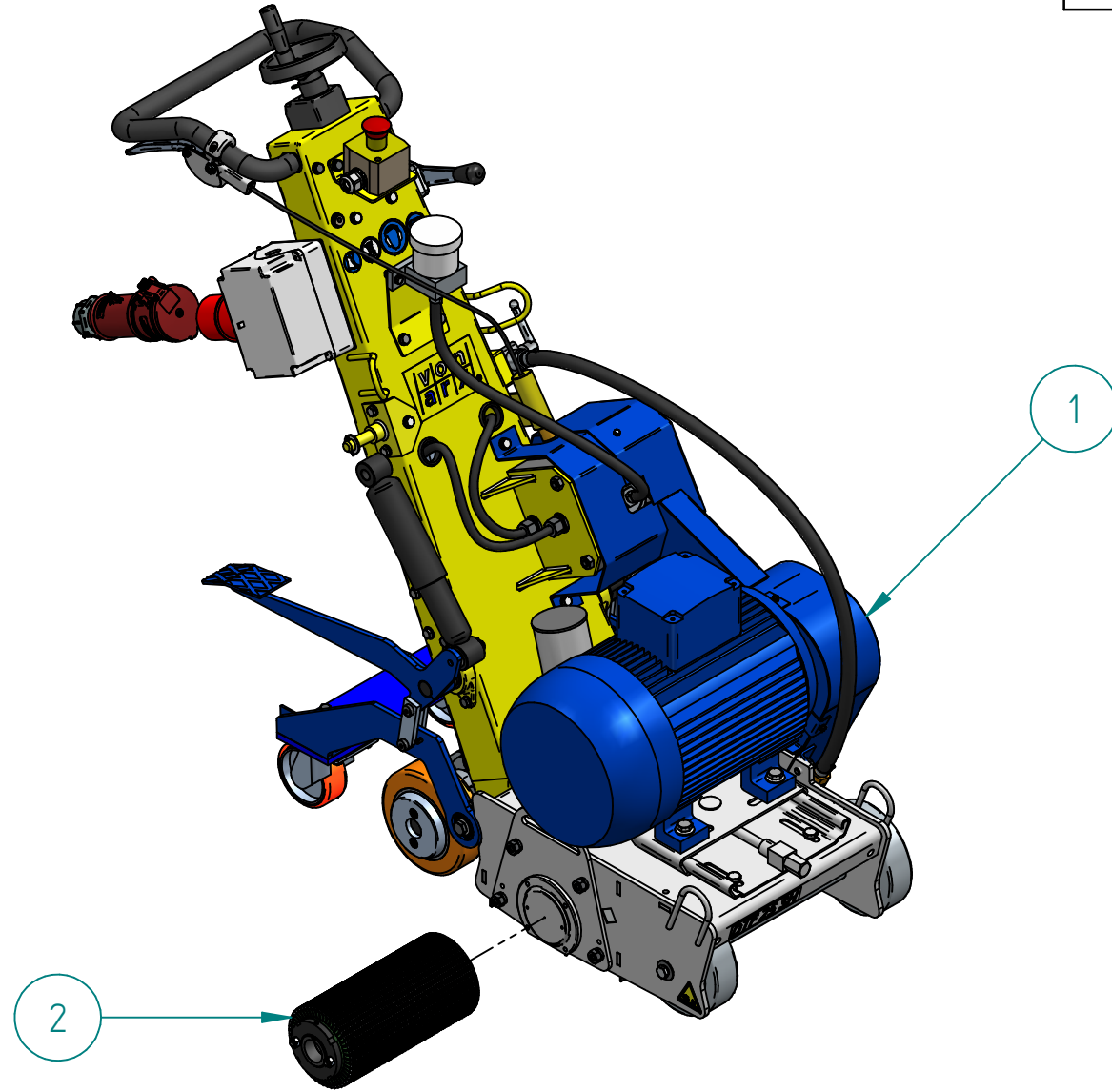


TOLERANCES acc. to ISO / TOLERANSEER enl. ISO
 Applicable where no tolerance is indicated.
 Gælder når tolerans er direkte udsat.
 For machining / For bearbejning: ISO 2768-mK
 For welding / For svejsning: SS-EN ISO 13920-BF
 Surface finish acc. to ISO 1302 Machined surfaces.
 Ytjæmnhed enligt ISO 1302 For bearbejtede ytor.

| Item | Artikelnummer | Document Number | Title | Quantity |
|------|---------------|-----------------|-----------------------------------|----------|
| 1 | 708704 | 623.10.00 | DTF-25 SH ELECTRIC 11KW | 1 |
| 2 | 707289 | 621.02.12 | DIAMOND DRUM TURBO COMPLETE | 1 |
| 3 | 799799 | | EU - ATTENTION OF CONFORMITY | 1 |
| 4 | 799954 | | BROCHURE: QUALITY PRODUCTS | 1 |
| 5 | 799979 | | WARRANTY CARD FR | 1 |
| 6 | 799992 | | BA DTF 25SH | 1 |
| 7 | 900002 | | EURO PALLET 120/80 | 1 |
| 8 | 900038 | | CARTON BOX FOR PALLET 119x79x120h | 1 |



THE INFORMATION CONTAINED IN THIS DRAWING IS THE SOLE PROPERTY OF
 VON ARX EOOD REPRODUCTION IN PART OR WHOLE WITHOUT
 THE WRITTEN PERMISSION OF VON ARX EOOD IS PROHIBITED

| | | | |
|-----------------------------------|--------------------|---|--------------------------|
| Material | | Dimension | |
| Units : mm | SIZE A3 | | |
| Drawn By GS | Date 27/09/2019 | Approved Date 19.03.2020 | Approved By MS |
| | | Description DTF-25 SH ELECTRIC WITHOUT DRU | Article Number 708697 |
| | | DWG NO 623.10.25a | |
| Part/Assembly File 6231025.asm | | sheet 1 | of 1 |
| | | | |
| | | Rev. a | |

| Rev No | Revision description | Date | Sign |
|--------|----------------------|------------|------|
| a | Drum included. | 19.03.2020 | MS |