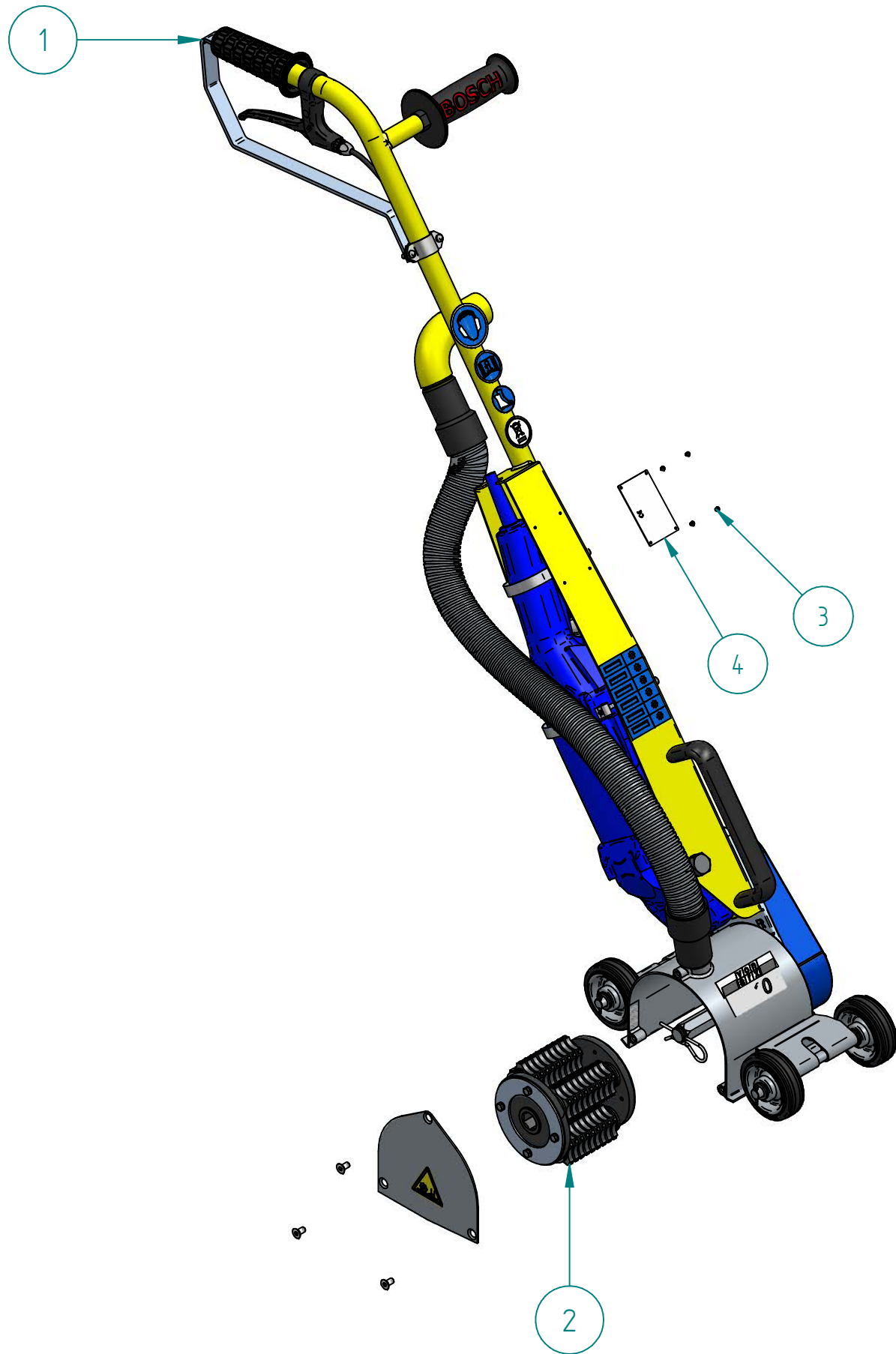


TOLERANCES acc. to ISO / TOLERANSER enl. ISO
 Applicable where no tolerance is indicated.
 Gäller där tolerans ej direkt utsatts
 For machining / For bearbetning: ISO 2768-mK
 For welding / For sveitsning: SS-EN ISO 13920-BF
 Surface finish acc. to ISO 1302 Machined surfaces.
 Ytjämnhet enligt ISO 1302. För bearbetade ytor.



Item	Artikelnummer	Document Number	Title	Quantity
1	706469	619.00.00i	VA 10 L - 230V/EU	1
2	701006	615.08.13	DRUM WITH PENTAGONAL CUTTERS	1
3	110822	BN_924_2_4x7_5	RIVET	4
4	703559	788.42.31c	TYPE PLATE	1
5	700659	555.01.17	FOLDING BOX VA10L	1
6	799799		EU - ATTENTION OF CONFORMITY	1
7	799954		BROCHURE: QUALITY PRODUCTS	1
8	799971		OPERATING MANUAL VA10L	1
9	799979		WARRANTY CARD FR	1
10	700603		TUBE MOLYKOTE BR2 PLUS	0.002
11	900032		ZIPPED NAYLON BAG 23 X 31	1

THE INFORMATION CONTAINED IN THIS DRAWING IS THE SOLE PROPERTY OF VON ARX. EOOD REPRODUCTION IN PART OR WHOLE WITHOUT THE WRITTEN PERMISSION OF VON ARX EOOD IS PROHIBITED.

Material				Dimension	
Drawn By GS	Date 30.01.2020	Approved Date 12.02.2020	Approved By MS	Units : mm	SIZE A3
		Description VA 10 L - 230V/EU WITH DRUM		Article Number 702311	
				DWG NO 619.00.13	
Part/Assembly File 6190013.asm			sheet 1	of 1	Rev.