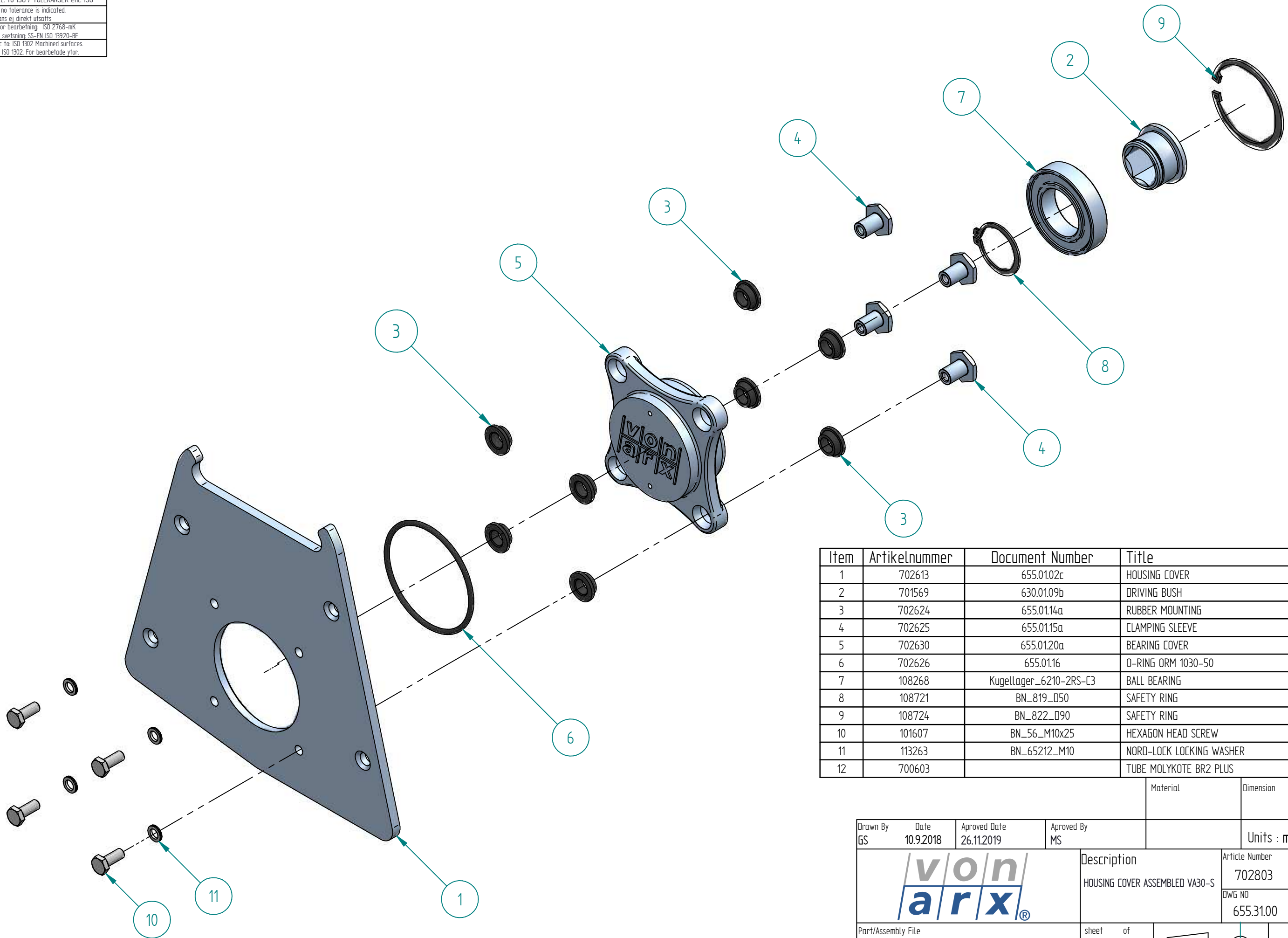


TOLERANCES acc. to ISO / TOLERANSEN enl. ISO
 Applicable where no tolerance is indicated.
 Gäller där tolerans ej direkt utsatts
 For machining / For bearbetning: ISO 2768-mK
 For welding / For svetsning: SS-EN ISO 13920-BF
 Surface finish acc. to ISO 1302 Machined surfaces.
 Ytjämnhet enligt ISO 1302. För bearbetade ytor.



Item	Artikelnummer	Document Number	Title	Quantity
1	702613	655.01.02c	HOUSING COVER	1
2	701569	630.01.09b	DRIVING BUSH	1
3	702624	655.01.14a	RUBBER MOUNTING	8
4	702625	655.01.15a	CLAMPING SLEEVE	4
5	702630	655.01.20a	BEARING COVER	1
6	702626	655.01.16	O-RING ORM 1030-50	1
7	108268	Kugellager_6210-2RS-C3	BALL BEARING	1
8	108721	BN_819_D50	SAFETY RING	1
9	108724	BN_822_D90	SAFETY RING	1
10	101607	BN_56_M10x25	HEXAGON HEAD SCREW	4
11	113263	BN_65212_M10	NORD-LOCK LOCKING WASHER	4
12	700603		TUBE MOLYKOTE BR2 PLUS	0.05

Material		Dimension	
Units : mm	SIZE A3		
Drawn By GS	Date 10.9.2018	Approved Date 26.11.2019	Approved By MS
		Description HOUSING COVER ASSEMBLED VA30-S	Article Number 702803
		DWG NO 655.31.00	
Part/Assembly File 6553100.asm		sheet 1	of 1
		Rev.	

THE INFORMATION CONTAINED IN THIS DRAWING IS THE SOLE PROPERTY OF VON ARX EOOD. REPRODUCTION IN PART OR WHOLE WITHOUT THE WRITTEN PERMISSION OF VON ARX EOOD IS PROHIBITED.