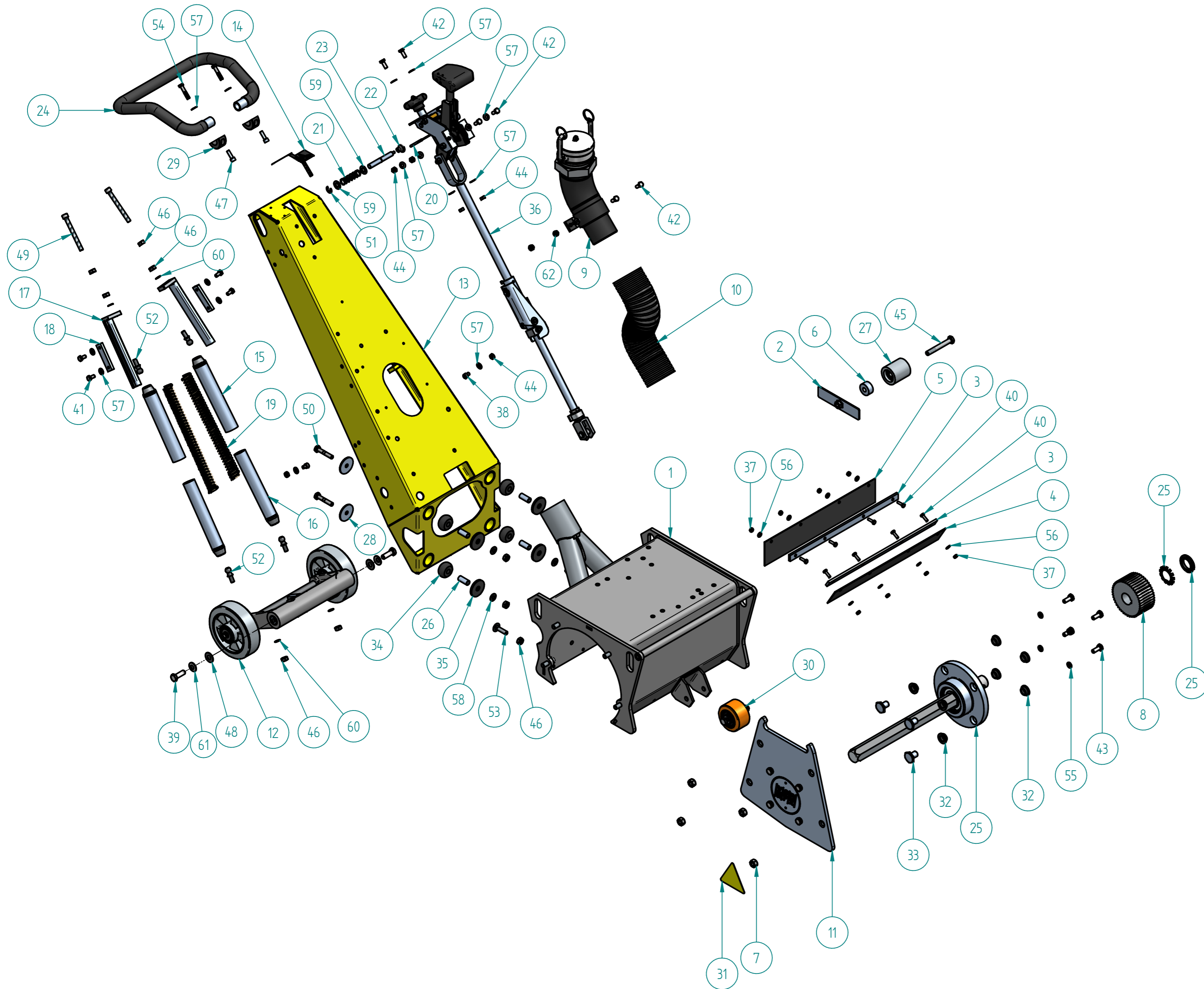


TOLERANCES acc. to ISO / TOLERANSEN entl. ISO
 Applicable where no tolerance is indicated.
 Guller dor tolerans ej direkt rsett.
 For machining / For bearbejning ISO 2768-mk
 For welding / For svejtning ISO 18923-BF
 Surface finish acc. to ISO 15622 Machine surfaces
 Ytjamhet enligt ISO 1302. For bearbetade ytor.



| Item | Artikelnummer | Document Number | Title | Quantity |
|------|---------------|---------------------|--------------------------------|----------|
| 1 | 600060 | 600060a | HOUSING VA 30 S 3IN | 1 |
| 2 | 702618 | 655.0107c | FASTENING BRACKET | 1 |
| 3 | 702619 | 655.0108 | CLAMPING STRIP | 2 |
| 4 | 702620 | 655.0109 | DUST APRON | 1 |
| 5 | 702621 | 655.0110 | DUST APRON BENOLA | 1 |
| 6 | 702622 | 655.0111 | SPACER BUSHING FOR FR 350, VA | 1 |
| 7 | 702623 | 655.0112 | NUT FOR HOUSING COVER | 4 |
| 8 | 702631 | 655.0121 | TOOTHED PULLEY | 1 |
| 9 | 600069 | 600069a | TOP BRACKET ASSEMBLY | 1 |
| 10 | 900075 | 900075 | SUCTION HOSE | 1 |
| 11 | 702803 | 655.3100 | HOUSING COVER ASSEMBLED VA30-S | 1 |
| 12 | 702806 | 655.3700 | CHASSIS VA30-S ASSEMBLED | 1 |
| 13 | 703003 | 665.08.01q | HANDLE BAR | 1 |
| 14 | 703005 | 665.08.03 | PLATES FOR VA 25 S / VA 30 S / | 1 |
| 15 | 703022 | 665.08.22b | SPRING ROUTING TOPSIDE | 2 |
| 16 | 703023 | 665.08.22b | SPRING ROUTING BELOW VA30-S/ | 2 |
| 17 | 703024 | 665.08.24b | ADJUSTING PROFILE | 2 |
| 18 | 703025 | 665.08.25a | BRACKET | 2 |
| 19 | 703027 | 665.08.27 | PRESSION SPRING VA30S+25S TWIN | 2 |
| 20 | 703028 | 665.08.28a | ROPE GUIDE | 1 |
| 21 | 703055 | 665.74.13 | COMPRESSION SPRING | 1 |
| 22 | 703056 | 665.74.14 | HANDLE WITH BLIND HOLE ELESA | 1 |
| 23 | 706093 | 665.08.05 | PIN | 1 |
| 24 | 706152 | 665.08.29b | BOW-TYPE HANDLE FOR VA 25 S TW | 1 |
| 25 | 709816 | 655.32.01 | DRIVE SHAFT PREASSEMBLED | 1 |
| 26 | 702645 | 655.02.13 | DISTANCE TUBE | 4 |
| 27 | 702184 | 635.0151 | BELT TENSIONING ROLLER | 1 |
| 28 | 702646 | 655.02.14 | DISC | 4 |
| 29 | 702636 | 655.02.04c | CLAMPING RING | 2 |
| 30 | 109377 | 630.0124 | FRONT WHEEL COMPL | 1 |
| 31 | 111180 | 665.00.04 | STICKER "WARNING CUTTER SHAFT" | 1 |
| 32 | 702624 | 655.0114a | RUBBER MOUNTING | 8 |
| 33 | 702625 | 655.0115a | CLAMPING SLEEVE | 4 |
| 34 | 702643 | 655.02.11 | RUBBER SPRING | 4 |
| 35 | 702644 | 655.02.12 | RUBBER DISC | 8 |
| 36 | 706100 | 665.10.00d | ADJUSTMENT AND DEAD MAN DEVICE | 1 |
| 37 | 102334 | BN_117_M6 | HEXAGONAL NUT | 8 |
| 38 | 101595 | BN_3_M8x10 | ALLEN SCREW | 2 |
| 39 | 101611 | BN_56_M12x35 | HEXAGON HEAD SCREW | 2 |
| 40 | 104267 | BN_56_M6x20 | HEXAGONAL SCREW | 8 |
| 41 | 101599 | BN_56_M8x16 | HEXAGONAL SCREW | 4 |
| 42 | 101600 | BN_56_M8x20 | HEXAGONAL SCREW | 6 |
| 43 | 101607 | BN_56_M10x25 | HEXAGON HEAD SCREW | 4 |
| 44 | 101822 | BN_117_M8 | HEXAGONAL NUT ~-0.8D | 6 |
| 45 | 107870 | BN_57_M12x90 | HEXAGONAL SCREW | 1 |
| 46 | 102287 | BN_117_M10 | HEXAGONAL NUT | 12 |
| 47 | 105923 | BN_3_M8x25 | ALLEN SCREW | 2 |
| 48 | 108552 | BN_735_M12 | WASHER | 2 |
| 49 | 110284 | BN_3_M10x100 | HEXAGON SOCKET HEAD CAP SCREW | 2 |
| 50 | 110372 | BN 57 M10x55 | HEX. HEAD SCREW BN 57 | 4 |
| 51 | 110388 | BN_810_10 | SAFETY WASHER FOR SHAFTS | 1 |
| 52 | 110390 | BN_486_K16_Sw13_M10 | BALL STUD IN C SHAPE | 4 |
| 53 | 110391 | BN_248_M10x40 | ROUNDHEAD SCREW WITH NUT FOR V | 2 |
| 54 | 110392 | BN_57_M8x40 | HEXAGONAL SCREW | 2 |
| 55 | 113263 | BN_65212_M10 | NORD-LOCK LOCKING WASHER | 4 |
| 56 | 113917 | BN_13292_M6 | RIP-LOCK LOCKING WASHER | 8 |
| 57 | 113918 | BN_13292_M8 | RIP-LOCK LOCKING WASHER | 16 |
| 58 | 113919 | BN_13292_M10 | SAFETY WASHER | 4 |
| 59 | 100129 | BN_745_M12 | WASHER | 2 |
| 60 | 103335 | BN_792_M10 | SAFETY WASHER | 4 |
| 61 | 113920 | BN_13292_M12 | RIP-LOCK LOCKING WASHER | 2 |
| 62 | 100263 | BN_161_M8 | SAFETY NUT | 2 |
| 63 | 108042 | 792.65.01 | FORK WRENCH | 1 |
| 64 | 108046 | 792.65.03 | FORK WRENCH | 1 |
| 65 | 111727 | | STRIP BAND -DANGER- | 0.9 |
| 66 | 112450 | | SICKER - DIF.CUTTERS- | 1 |
| 67 | 900018 | | LABEL SWISS DESIGN | 1 |
| 68 | 115647 | | STRIP BAND LABEL Nr:6021 | 1 |
| 69 | 701669 | | STICKER AUDITORI PROTECTION | 1 |
| 70 | 703054 | 665.42.01 | STICKER VA-30S | 1 |
| 71 | 703576 | | STICKER VON ARX LOGO | 1 |
| 72 | 706129 | | STICKER "INFO" | 1 |
| 73 | 706409 | | SET OF SPARE PARTS FOR "S"TYPE | 1 |
| 74 | 708794 | | ADHESIVE "NO HOUSEHOLD WASTE" | 1 |
| 75 | 900074 | | MOLYKOTE BR2 PLUS | 0.005 |
| 76 | 900031 | | ZIPPED NAYLON BAG 17 X 23 | 1 |

THE INFORMATION CONTAINED IN THIS DRAWING IS THE SOLE PROPERTY OF VON ARX. EXACT REPRODUCTION IN PART OR WHOLE WITHOUT THE WRITTEN PERMISSION OF VON ARX IS PROHIBITED.

| Rev. No | Revision description | Date | Sign |
|---------|----------------------------------------------------------------------------------------------------|------------|------|
| e | Changing suction vacuum pipe to 3inch with CAMLOCK, remove vacuum pipe, brackets, screws and nuts. | 27.04.2020 | GS |

| | | | |
|--------------------|------------|---------------------|-------------|
| Material | | Dimension | |
| Drawn By | Date | Approved Date | Approved By |
| GS | 04/04/2019 | 16.12.2019 | MS |
| Units : mm | | SIZE A2 | |
| | | Description | |
| | | VA-30S BASIC DEVICE | |
| Article Number | | 703001 | |
| Part/Assembly File | | DWG NO | |
| 6650000.asm | | 665.00.00e | |
| sheet | of | Rev. | |
| 1 | 1 | | |