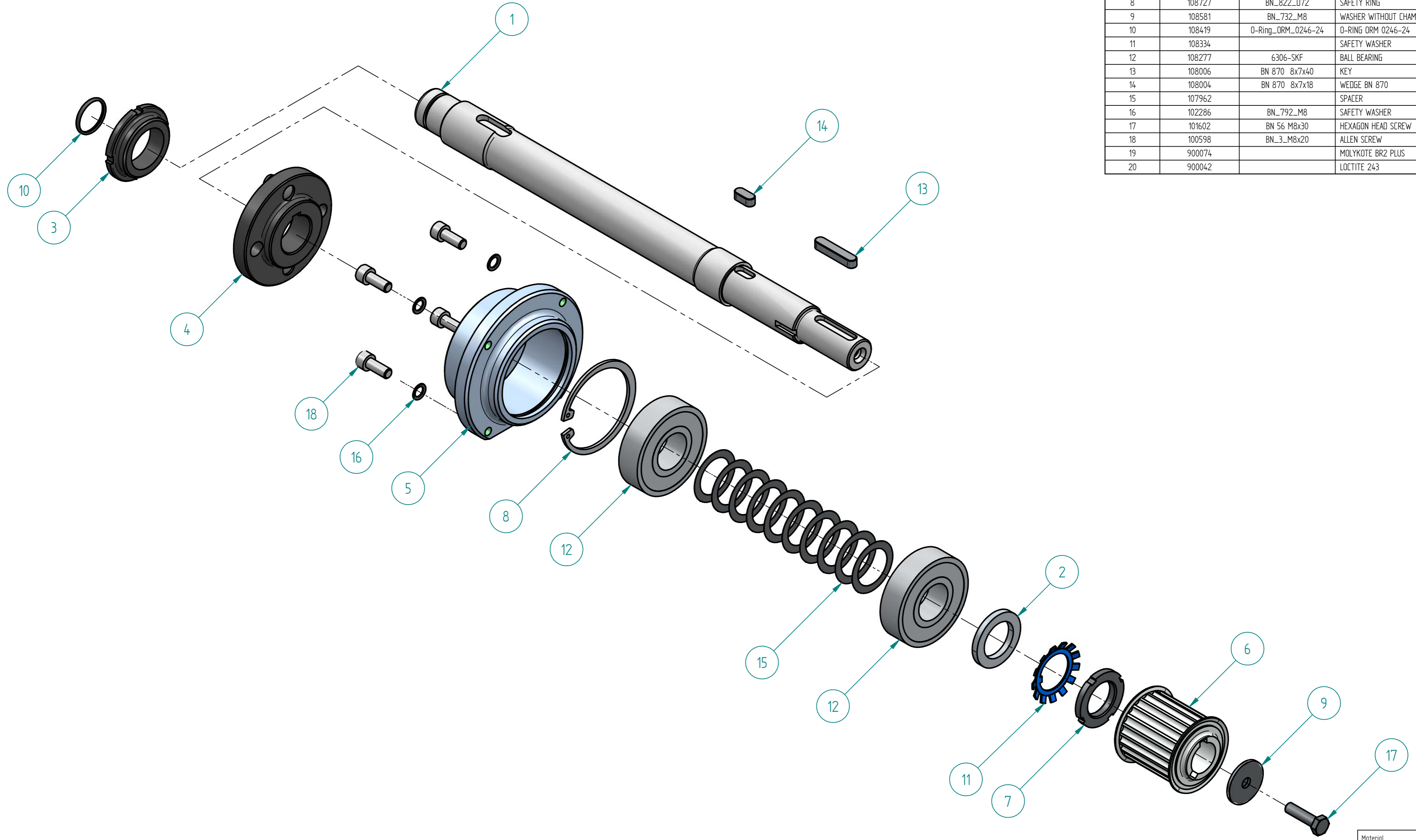


TOLERANCES acc. to ISO / TOLERANSEER enl. ISO  
 Applicable where no tolerance is indicated.  
 Gatter der Toleranz enl. direkt ustzts.  
 For machining / For bearbejtning ISO 2768-mk  
 For welding / For svejtning SS-EN ISO 13920-BF  
 Surface finish acc. to ISO 15022 Machine surfaces  
 Ytjamhet enl. ISO 1302. For bearbejtade ytor.



Item	Artikelnummer	Document Number	Title	Quantity
1	701187	6210107	DRUM SHAFT DTF 25	1
2	701191	6210111	WASHER	1
3	701189	6210109	NUT FOR DRUM DTF 25	1
4	701190	6210110	DRIVING FLANGE DTF 25	1
5	702452	654.0104e	BEARING HOUSING	1
6	702783	655.26.02b	TOOTHED DISC	1
7	108754		SHAFT NUT	1
8	108727	BN_822_D72	SAFETY RING	1
9	108581	BN_732_M8	WASHER WITHOUT CHAMFER	1
10	108419	O-Ring_ORM_0246-24	O-RING ORM 0246-24	1
11	108334		SAFETY WASHER	1
12	108277	6306-SKF	BALL BEARING	2
13	108006	BN 870 8x7x40	KEY	1
14	108004	BN 870 8x7x18	WEDGE BN 870	1
15	107962		SPACER	10
16	102286	BN_792_M8	SAFETY WASHER	4
17	101602	BN 56 M8x30	HEXAGON HEAD SCREW	1
18	100598	BN_3_M8x20	ALLEN SCREW	4
19	900074		MOLYKOTE BR2 PLUS	0.002
20	900042		LOCTITE 243	0.01

THE INFORMATION CONTAINED IN THIS DRAWING IS THE SOLE PROPERTY OF VON ARX. EOOD. REPRODUCTION IN PART OR WHOLE WITHOUT THE WRITTEN PERMISSION OF VON ARX. EOOD. IS PROHIBITED.

Material		Dimension	
Drawn By GS	Date 12/06/2007	Approved Date 18.12.2019	Approved By MS
Units : mm		SIZE A2	
		Description DIVE SHAFT ASSEMBLED	
		Article Number 701249	
Part/Assembly File 6213200.asm		DWG NO 62132.00a	
sheet 1	of 1		Rev. a